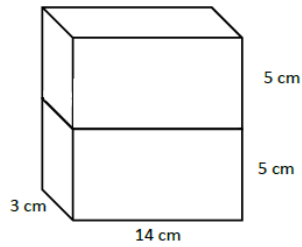


Name _____ Date _____

1. Find the total volume of the figures, and record your solution strategy.

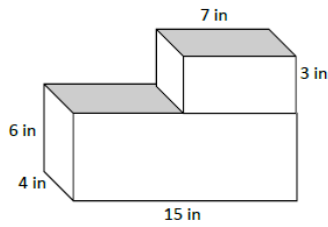
a.



Volume: _____

Solution Strategy:

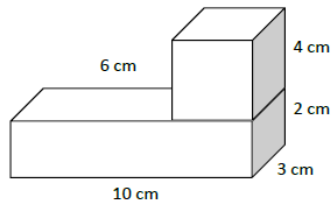
b.



Volume: _____

Solution Strategy:

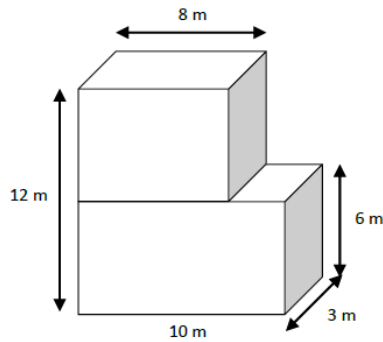
c.



Volume: _____

Solution Strategy:

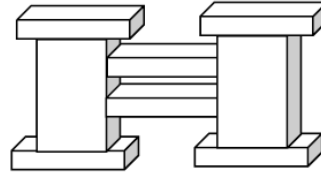
d.



Volume: _____

Solution Strategy:

2. A sculpture (pictured below) is made of two sizes of rectangular prisms. One size measures 13 in by 8 in by 2 in. The other size measures 9 in by 8 in by 18 in. What is the total volume of the sculpture?



3. The combined volume of two identical cubes is 128 cubic centimeters. What is the side length of each cube?
4. A rectangular tank with a base area of 24 cm^2 is filled with water and oil to a depth of 9 cm. The oil and water separate into two layers when the oil rises to the top. If the thickness of the oil layer is 4 cm, what is the volume of the water?

